



Commercial Washroom Equipment Company Incorporated

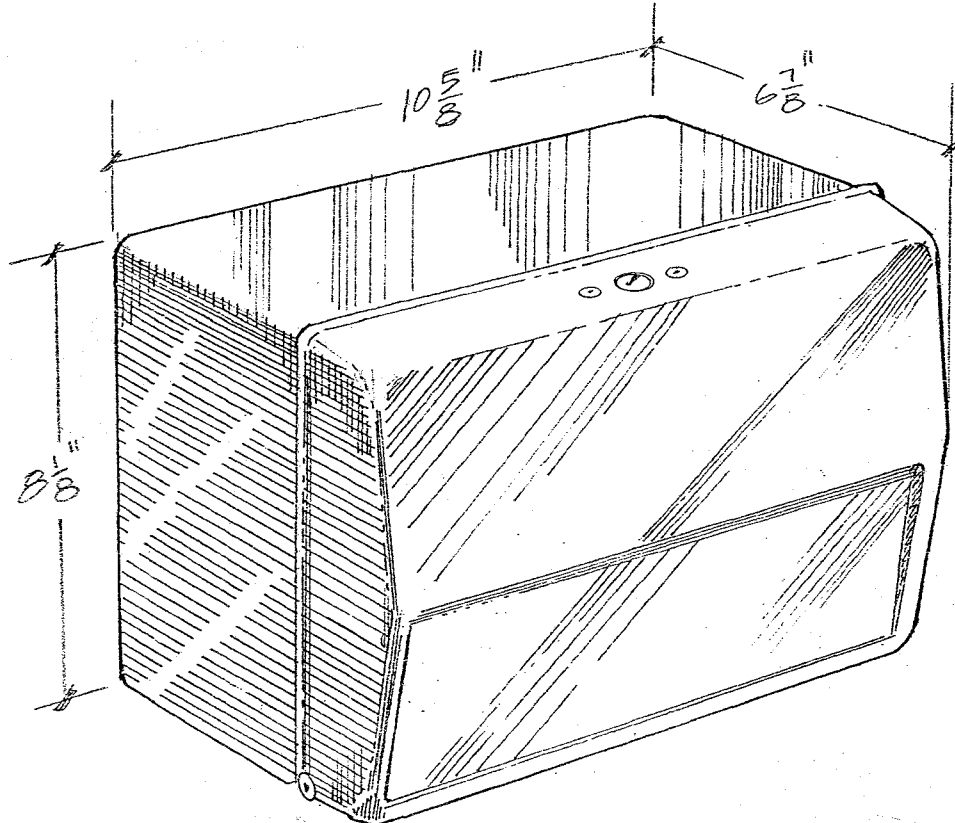
P.O. Box 2456, Gardena, CA 90247-0456 310-538-9440  
1-800-292-9326 Outside CA FAX: 310-715-9188

FAX 1-800-232-9326

CW630C  
CW630W

## SINGLE FOLD TOWEL DISPENSER

SPECIFY CW630C (CHROME) or CW630W (WHITE)



**CONSTRUCTION:** CW630C is chrome plated steel.  
CW630W is white powder coated steel.

**CAPACITY:** 400 single fold paper towels.

**INSTALLATION:** Secure to studs or solid backing through back of unit with mounting screws provided.

**SPECIFICATION:** Single fold towel dispenser shall be model CW630C (chrome) or CW630W (white) by CWECO, Inc.